

## Ramps for FS360 Machine

### Main features:

- Easy to assembly even on already sold machines;
- Designed for FS360 machines painted with the same color;
- Use it to easily load and unload heavy pallets onto stretch wraps machines using manual pallet jacks;
- Strong structure to avoid deformation;
- Integrated bolts to stabilize the ramp;
- Possibility to fix in 3 different side of the turntable.

### Ramp 1 inclination (for Manual Transpallet):

**FS4.0237A** - Ramp Ø1500mm / Heavy duty / L-1492mm / W-990mm

**FS4.0238A** - Ramp Ø1650mm / Heavy duty / L-1477mm / W-990mm

**FS4.0241A** - Ramp Ø1800mm / Heavy duty / L-1492mm / W-990mm

**FS4.0242A** - Ramp Ø2200mm / Heavy duty / L-1492mm / W-990mm



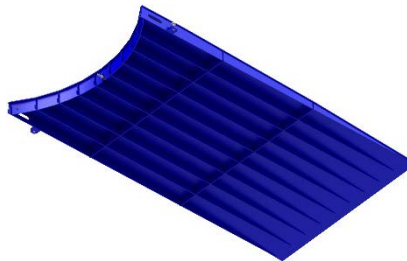
### Ramp 2 inclinations (for Electrical Transpallet):

**FS4.0249A** - Ramp Ø1500mm / Heavy duty / L-1824mm / W-990mm

**FS4.0250A** - Ramp Ø1650mm / Heavy duty / L-1824mm / W-990mm

**FS4.0251A** - Ramp Ø1800mm / Heavy duty / L-1824mm / W-990mm

**FS4.0252A** - Ramp Ø2200mm / Heavy duty / L-1824mm / W-990mm



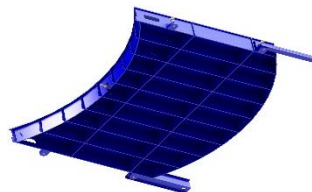
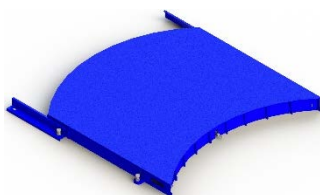
### Extension Ramp:

**FS4.0245A** - Ramp Ø1500mm / Heavy duty / L-990mm / W-990mm

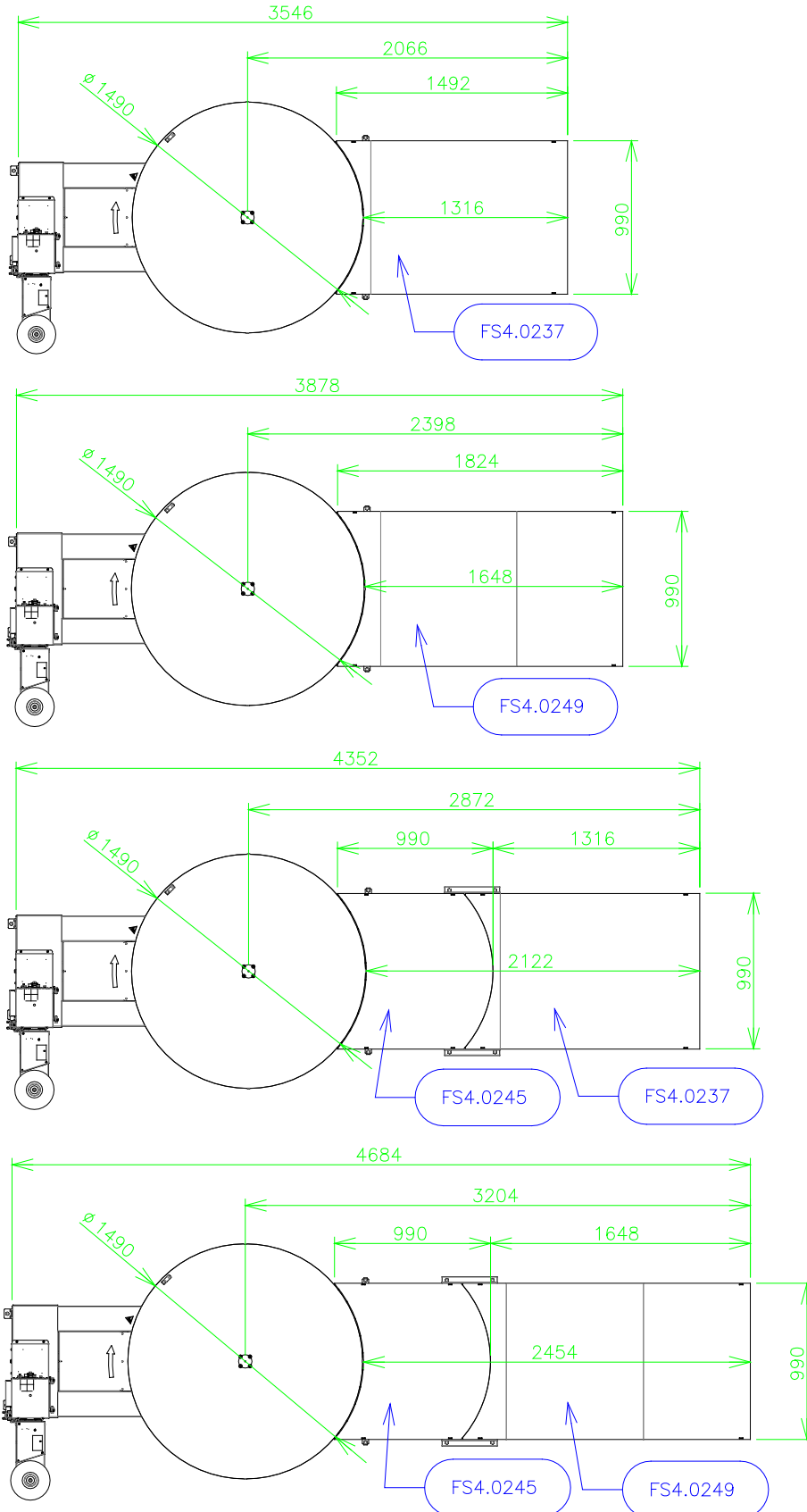
**FS4.0246A** - Ramp Ø1650mm / Heavy duty / L-990mm / W-990mm

**FS4.0247A** - Ramp Ø1800mm / Heavy duty / L-990mm / W-990mm

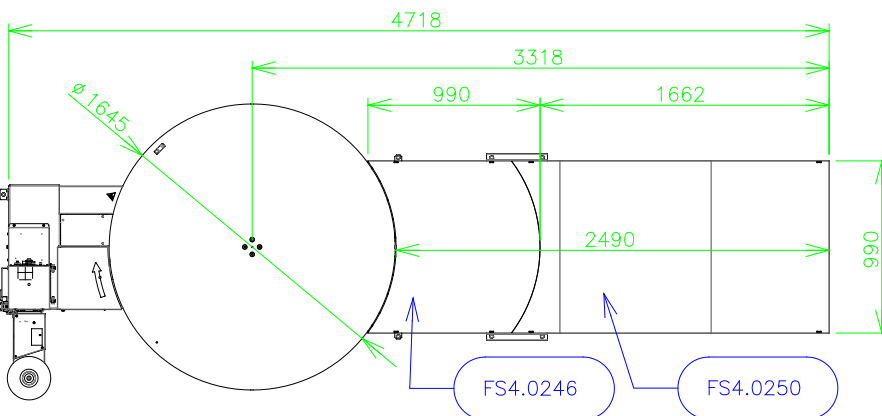
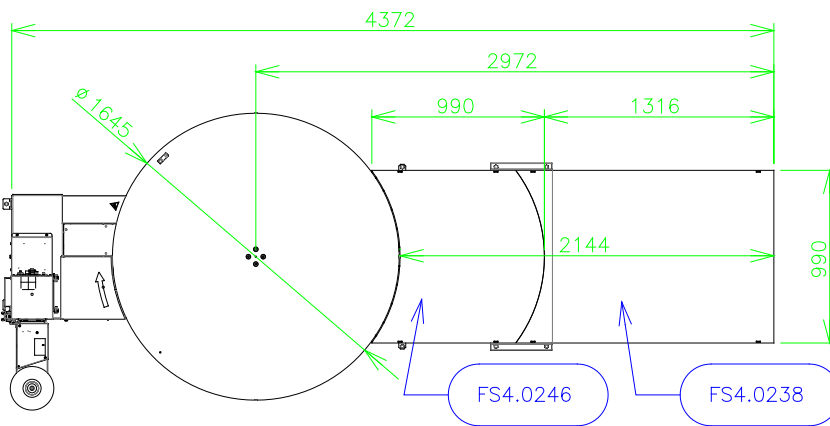
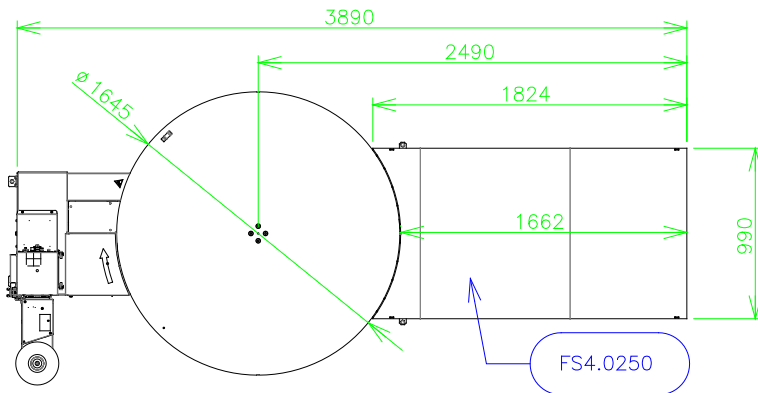
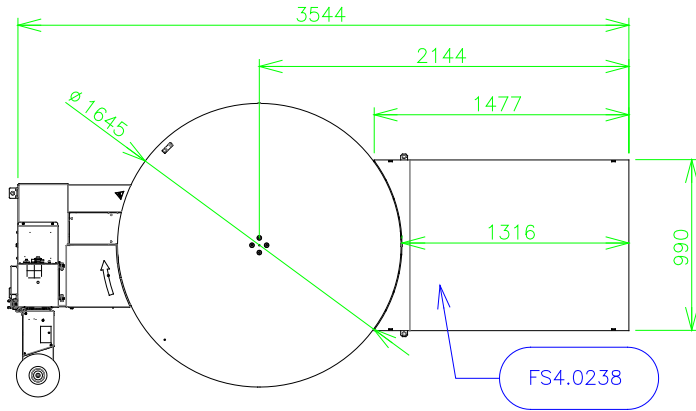
**FS4.0248A** - Ramp Ø2200mm / Heavy duty / L-990mm / W-990mm



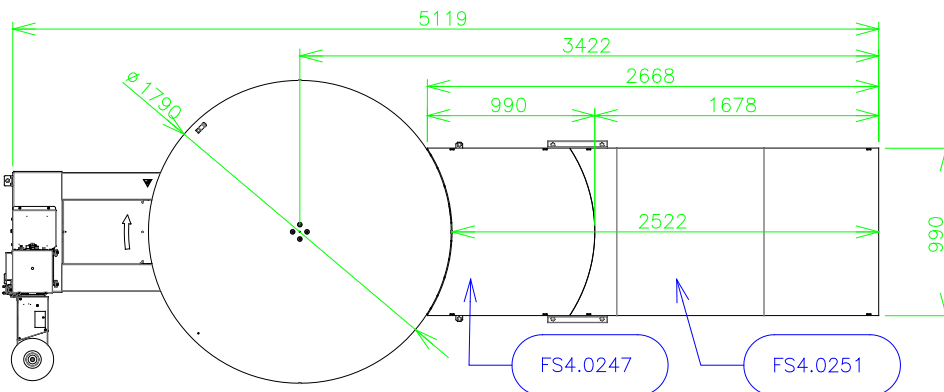
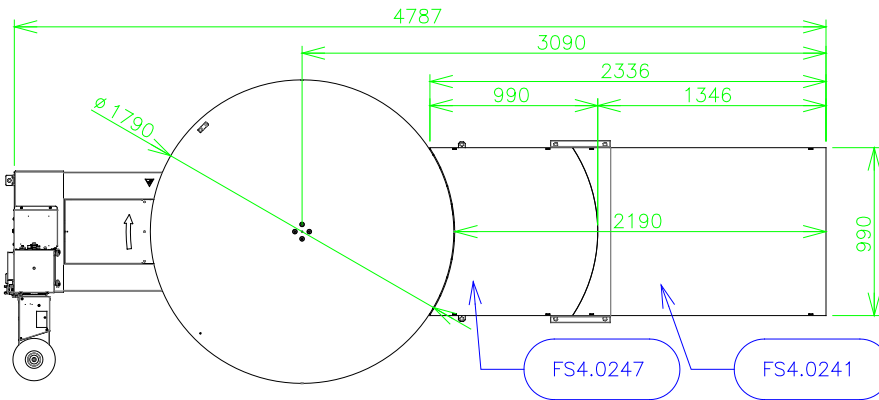
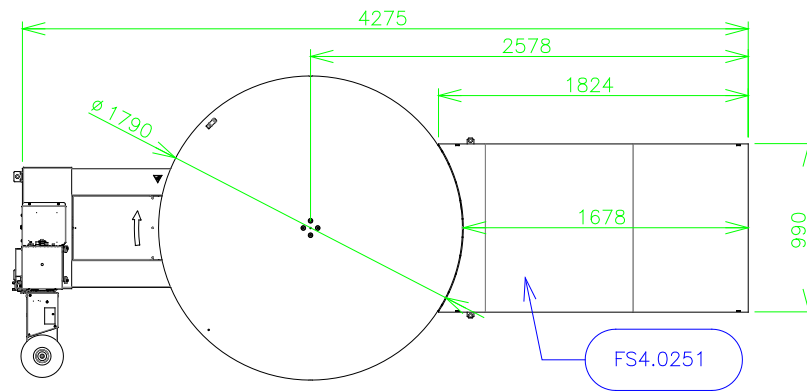
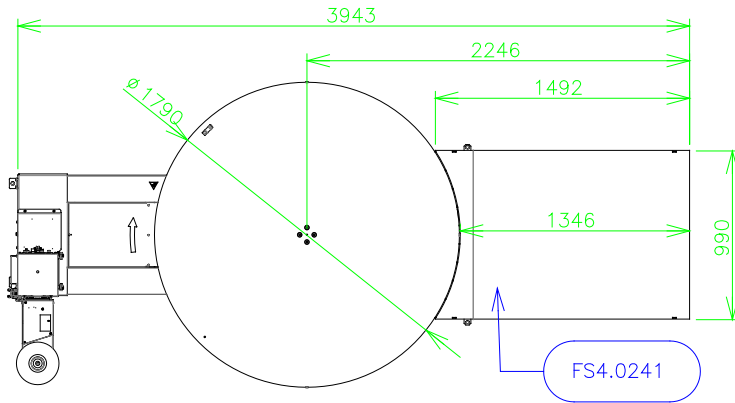
## Ramps Ø1500mm (possible combinations):



## Ramps Ø1650mm (possible combinations):



## Ramps Ø1800mm (possible combinations):



## Ramps Ø2200mm (possible combinations):

